

FIG.1

FIG. 2 is a perspective view of a portable electronic device 10, such as a portable music player, in an open position. The device 10 includes a display 27, a speaker 35, a microphone 39, a keypad 90, and a battery 91. The device 10 is connected to a headset 92 via a cable 3. The device 10 is also connected to a mobile telephone 50 via a cable 60. The device 10 includes a display 27, a speaker 35, a microphone 39, a keypad 90, and a battery 91. The device 10 is connected to a headset 92 via a cable 3. The device 10 is also connected to a mobile telephone 50 via a cable 60.

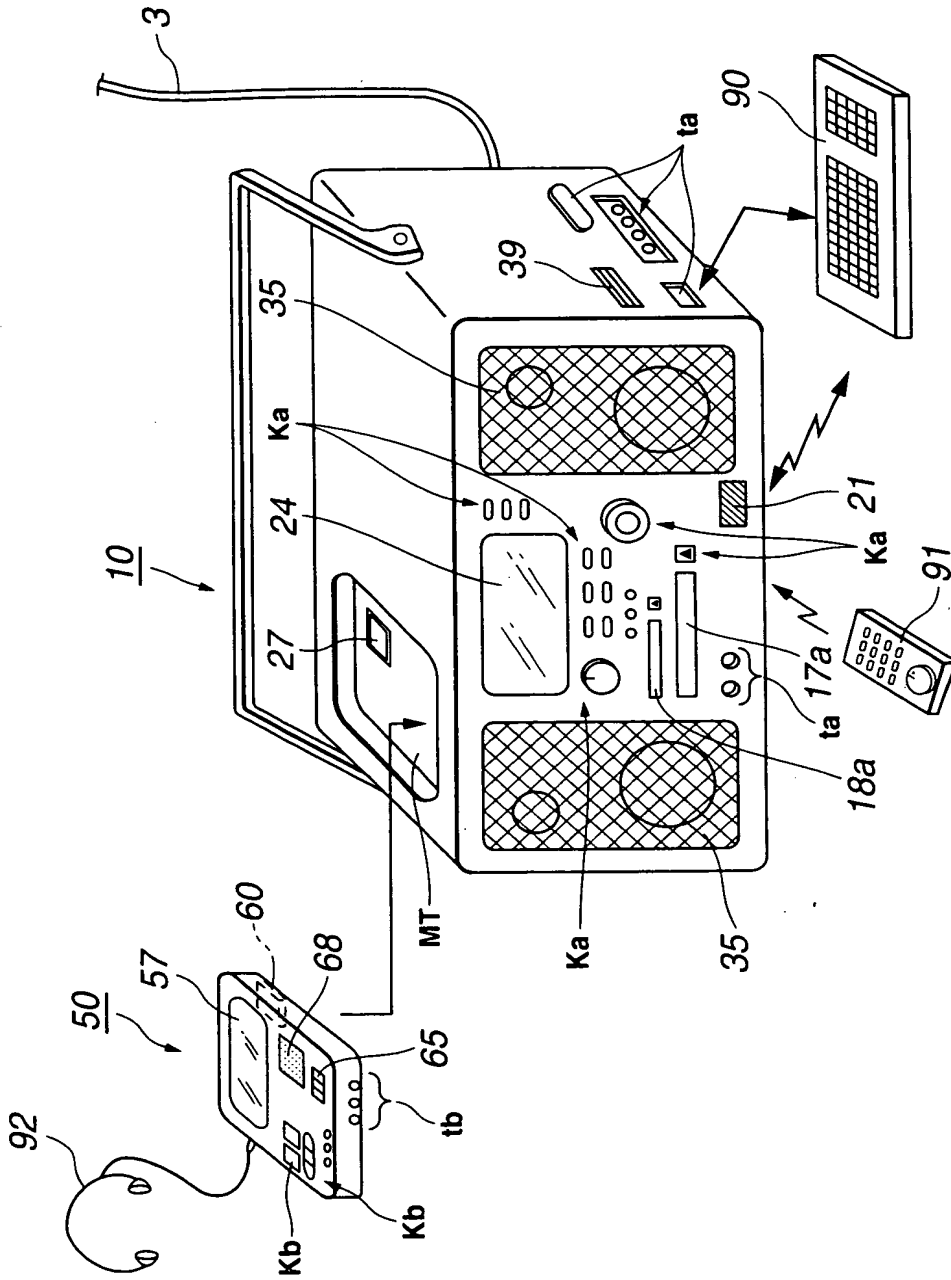


FIG.2

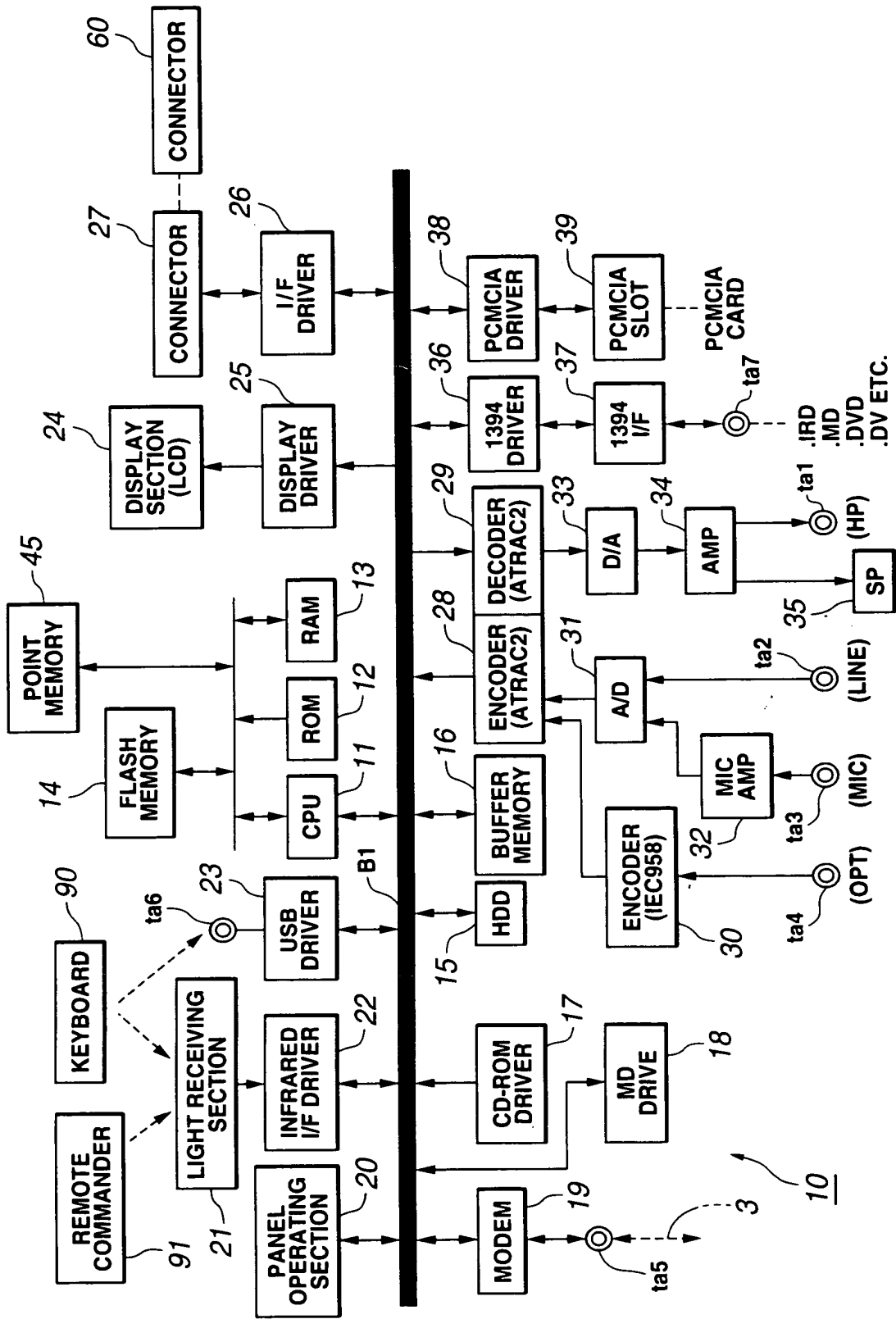


FIG.3

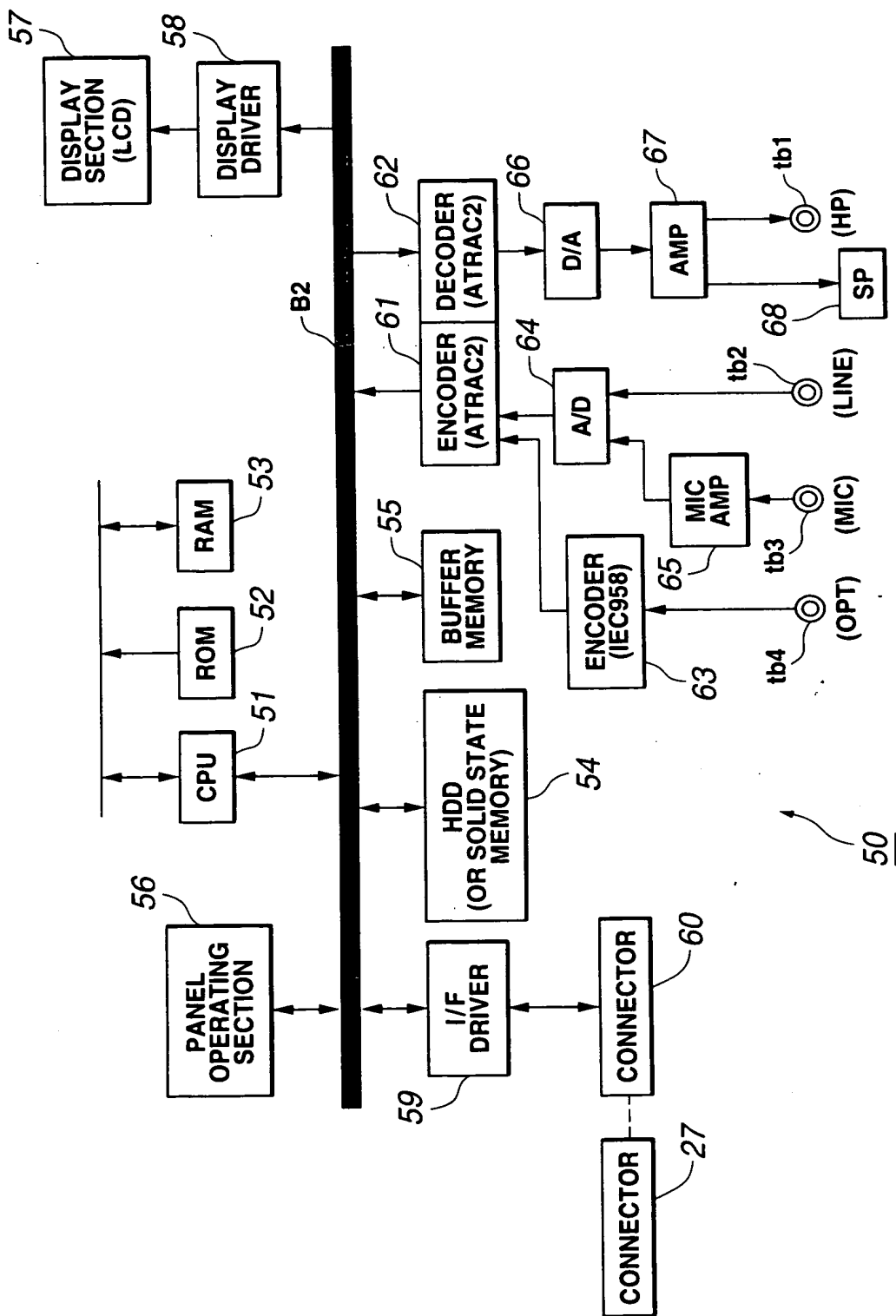


FIG. 4

FIG. 4 is a block diagram of the system architecture of the present invention. The system architecture includes a central bus (B2) which is connected to a panel operating section (56), a CPU (51), ROM (52), RAM (53), I/F driver (59), HDD (or solid state memory) (54), encoder (ATRAC2) (61), encoder (ATRAC2) (62), encoder (IEC958) (63), A/D (64), D/A (66), display driver (58), and display section (LCD) (57). The encoder (IEC958) (63) is connected to a MIC AMP (65) which is connected to a MIC (tb3) terminal. The A/D (64) is connected to the MIC AMP (65) and a LINE (tb2) terminal. The D/A (66) is connected to an AMP (67) which is connected to an HP (tb1) terminal. The I/F driver (59) is connected to a connector (60) which is connected to a connector (27).

AL1 (MANAGEMENT FILE)
AL1-M1 (AUDIO FILE)
AL1-M2
AL1-M3
AL1ad (RELATED INFORMATION FILE)

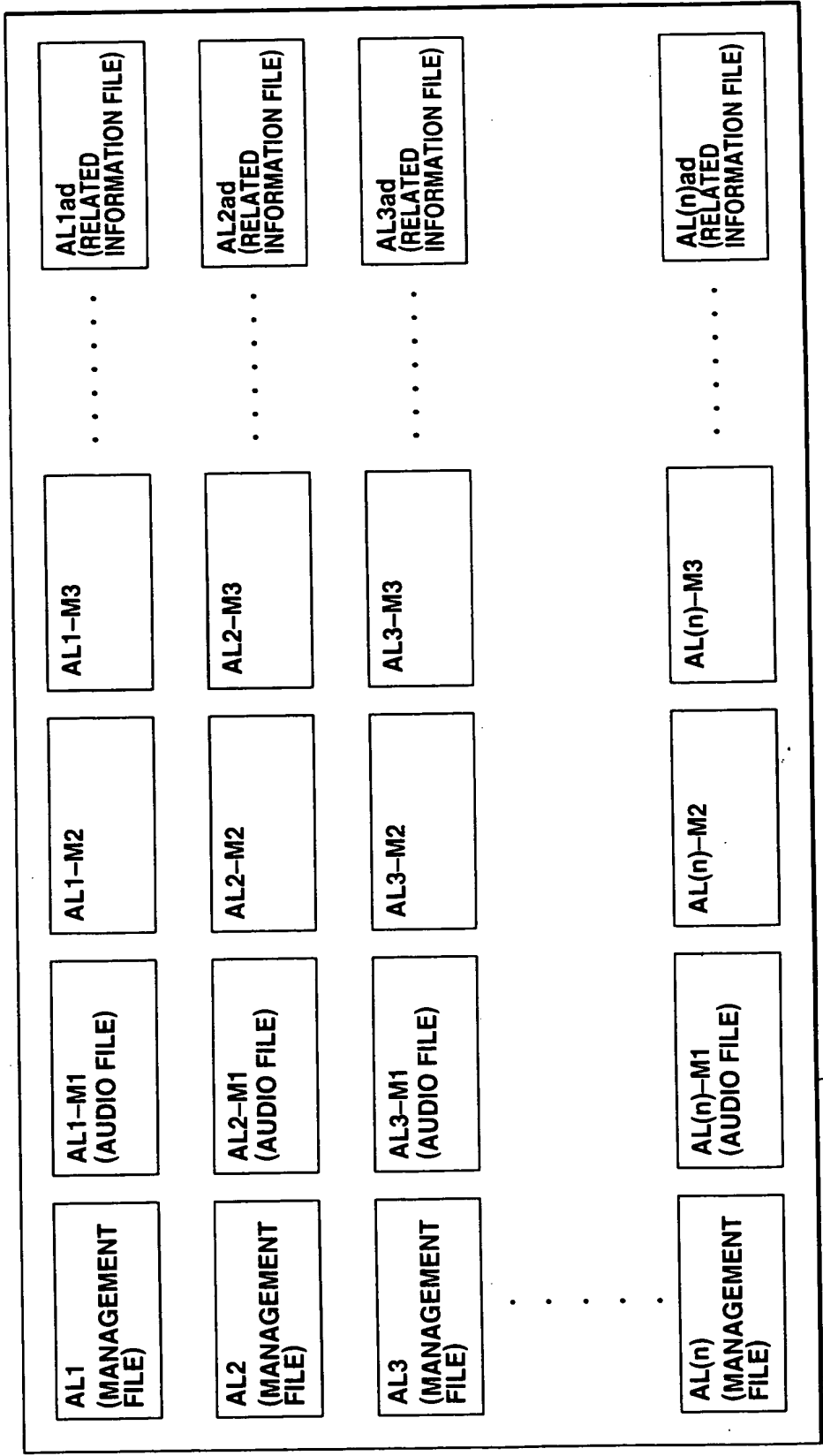


FIG.5

MANAGEMENT FILE	ALBUM INFORMATION	<ul style="list-style-type: none"> -TYPE/NUMBER OF FILE -ALBUM TITLE -DATA SIZE -DATE & TIME INFORMATION -NAMES OF PARTIES CONCERNED -COPYRIGHT INFORMATION 	<ul style="list-style-type: none"> -ALBUM ID -INFORMATION USE PERMISSION FLAG -OTHERS
	FILE INFORMATION (#1)	<ul style="list-style-type: none"> -TYPE OF FILE -ADDRESS POINTER -DATA SIZE -TITLE (TITLE OF TUNE) -DATE & TIME INFORMATION -NAME OF PARTIES CONCERNED -COPYRIGHT INFORMATION 	<ul style="list-style-type: none"> -INFORMATION USE PERMISSION FLAG -OTHERS
		
	FILE INFORMATION (#m)	<ul style="list-style-type: none"> -TYPE OF FILE -ADDRESS POINTER -DATA SIZE -TITLE (TITLE OF TUNE) -DATE & TIME INFORMATION -NAMES OF PARTIES CONCERNED -COPYRIGHT INFORMATION 	<ul style="list-style-type: none"> -INFORMATION USE PERMISSION FLAG -OTHERS
	RELATED FILE INFORMATION	<ul style="list-style-type: none"> -TYPE/NUMBER OF FILE -ADDRESS POINTER -DATA SIZE -DATE & TIME INFORMATION -NAMES OF PARTIES CONCERNED 	<ul style="list-style-type: none"> -COPYRIGHT INFORMATION -INFORMATION USE PERMISSION FLAG -OTHERS

FIG.6

45

NUMBER OF POINTS PT
R1 (POINT USE RECORD)
R2
R3
.

FIG.7

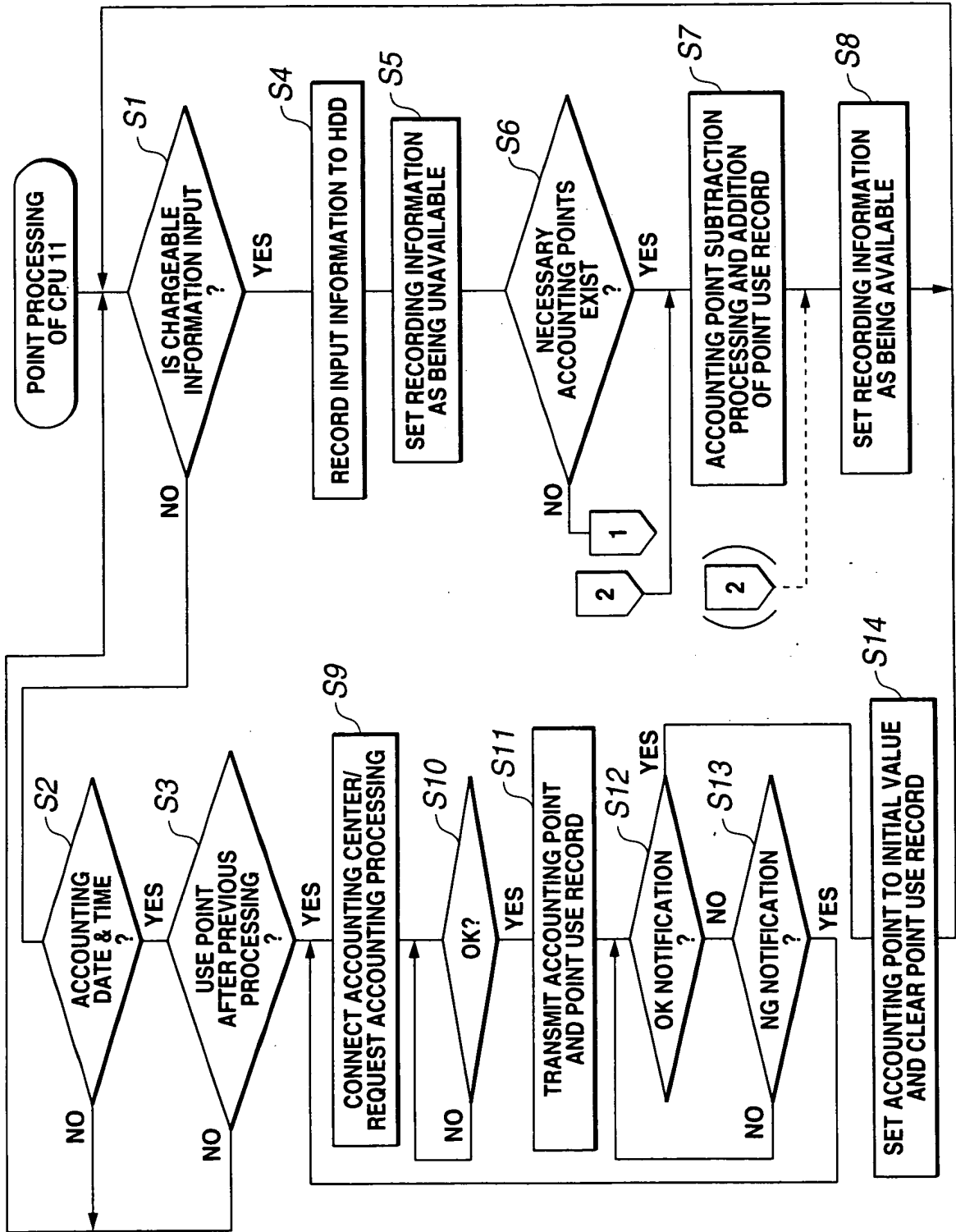


FIG. 8

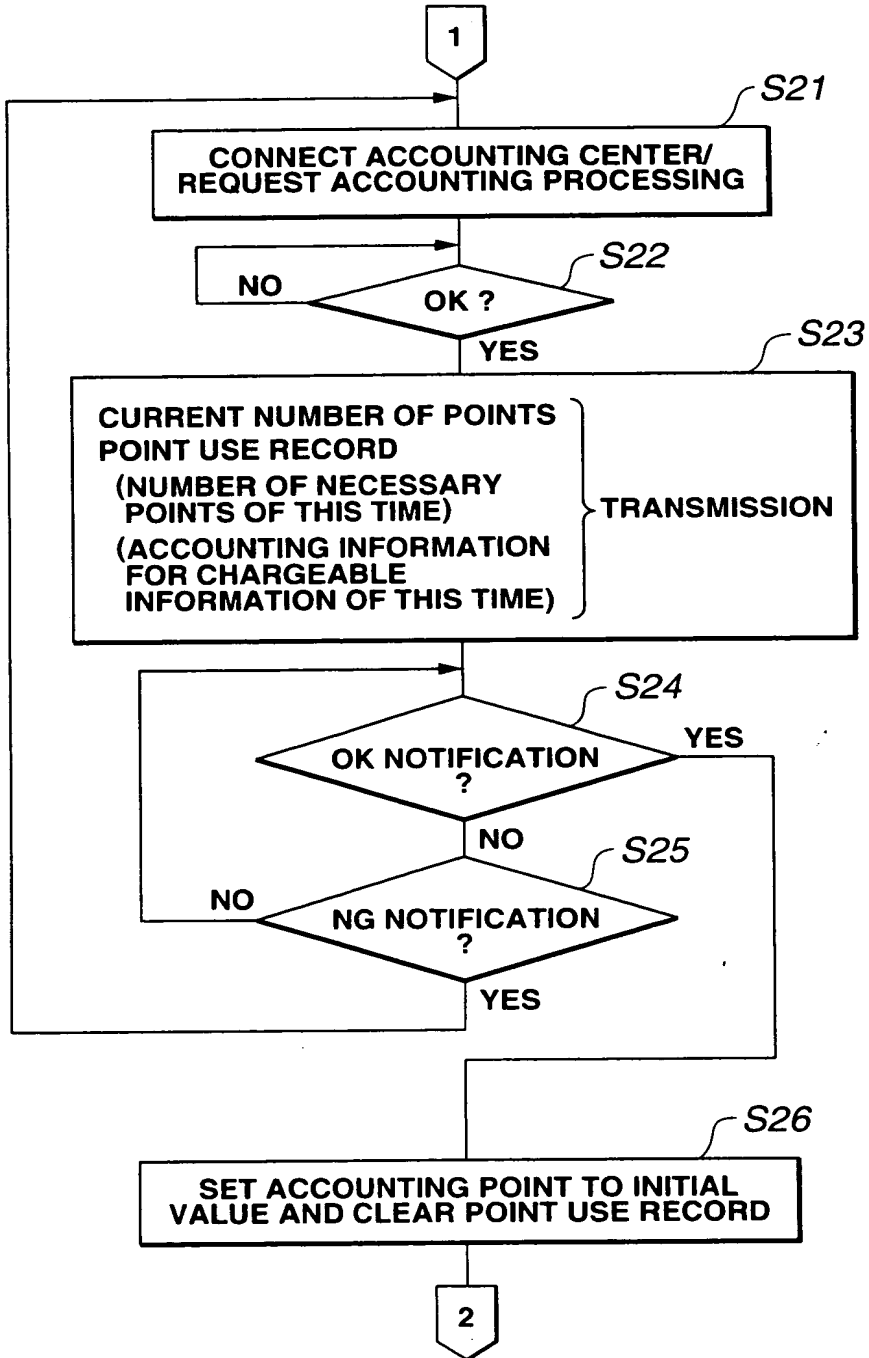


FIG.9

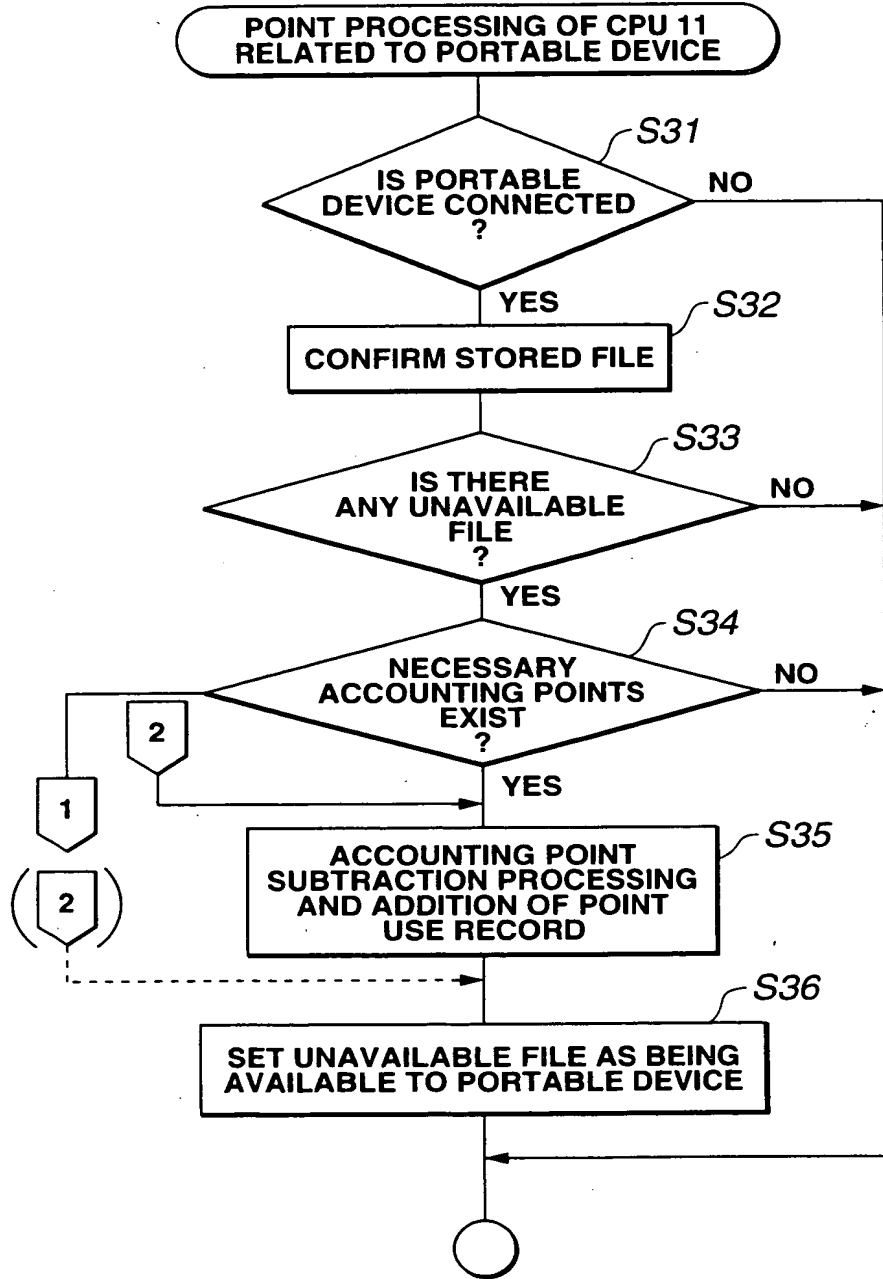


FIG.10

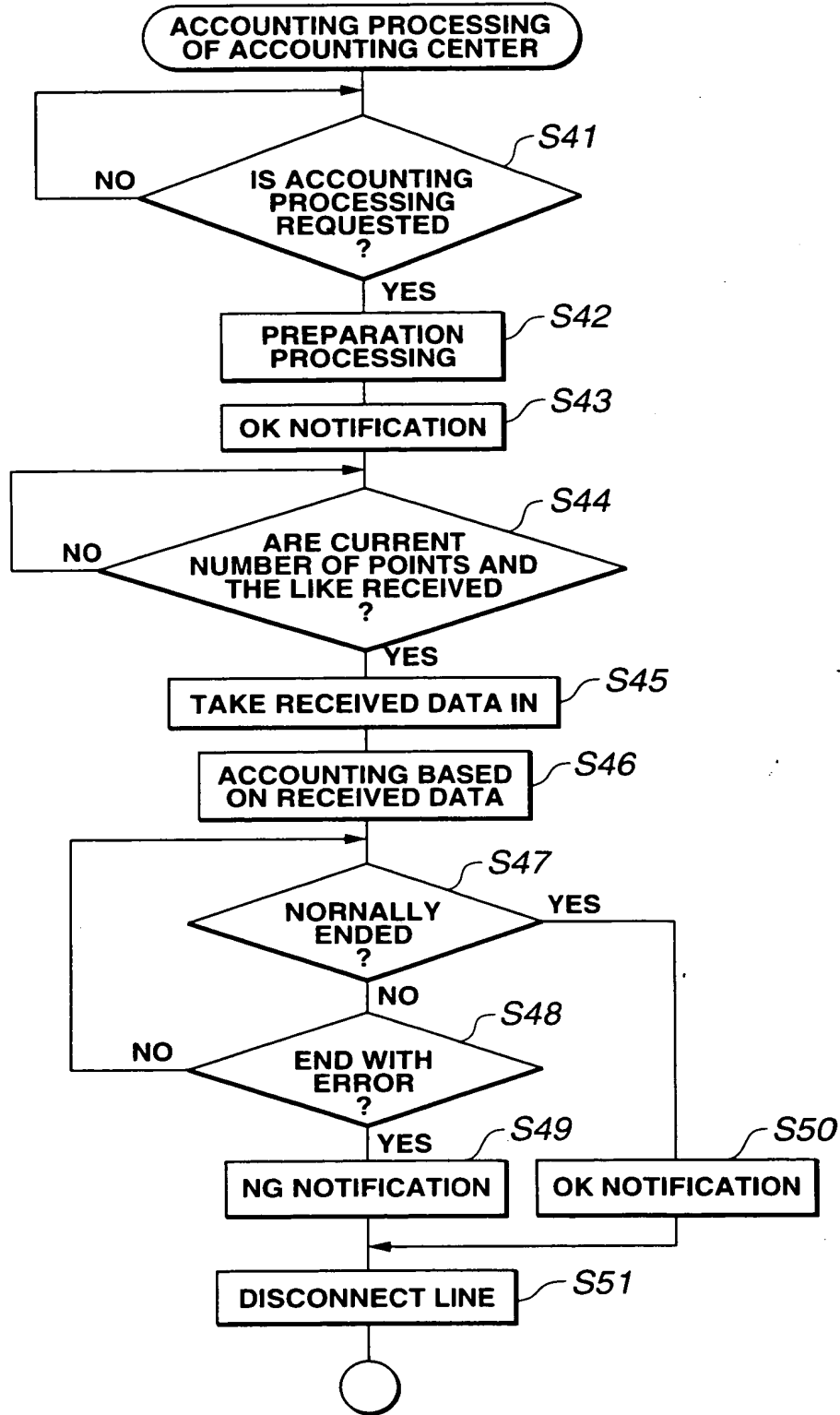


FIG.11

POINT PURCHASE MENU

**PLEASE SELECT NUMBER OF POINTS
YOU WANT TO PURCHASE**

- 100 POINTS [10000YEN]**
- 50 POINTS [5000YEN]**
- 10 POINTS [1000YEN]**
- 5 POINTS [500YEN]**

DECIDE

CANCEL

FIG.12

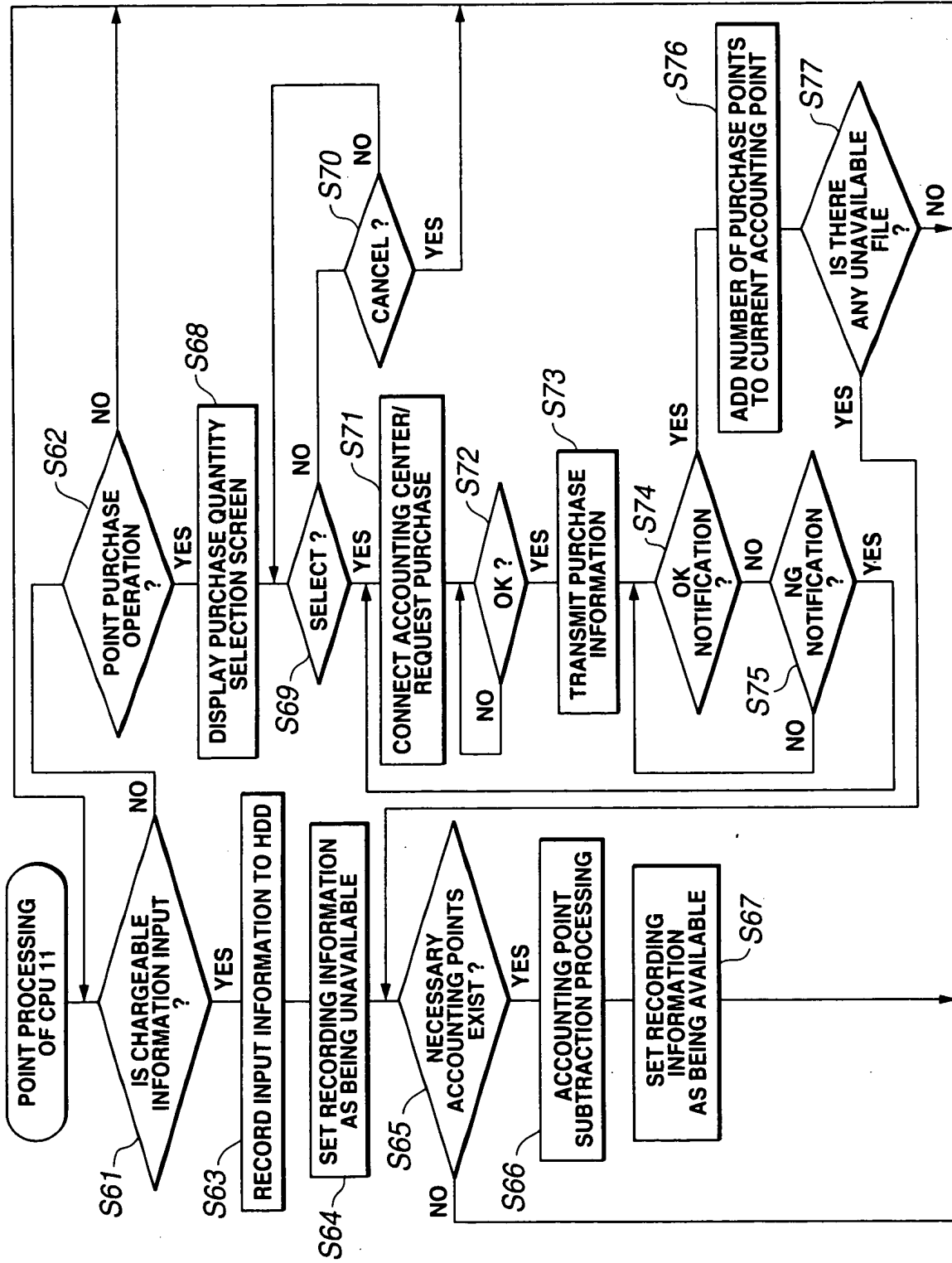


FIG.13

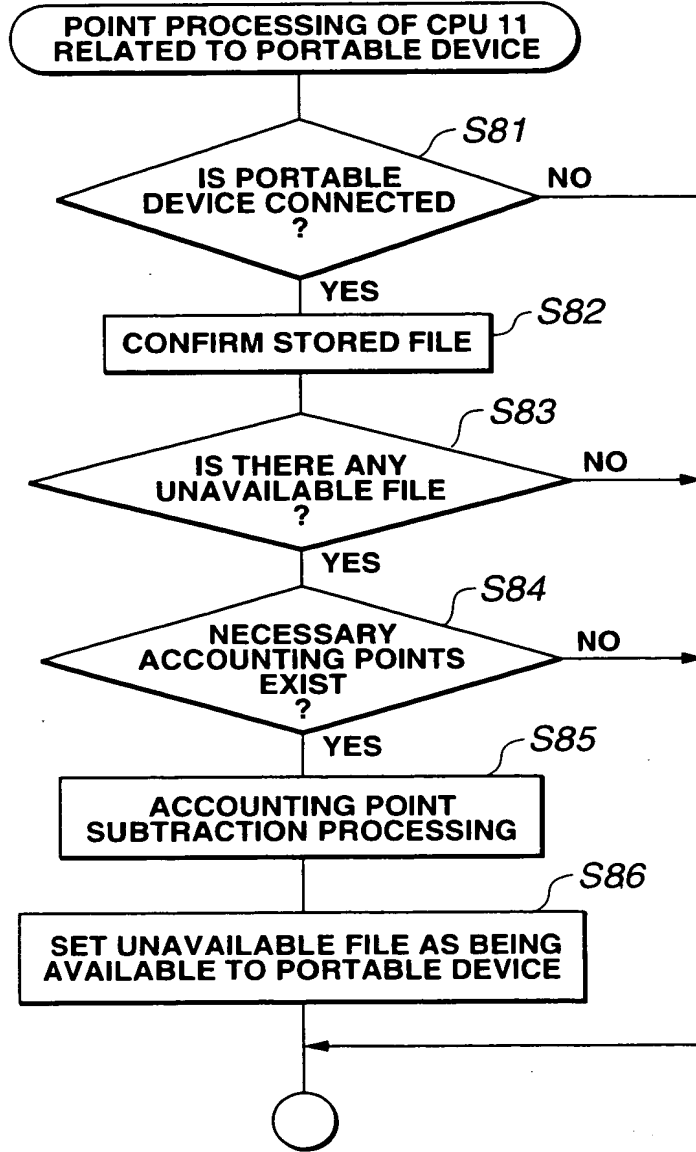


FIG.14

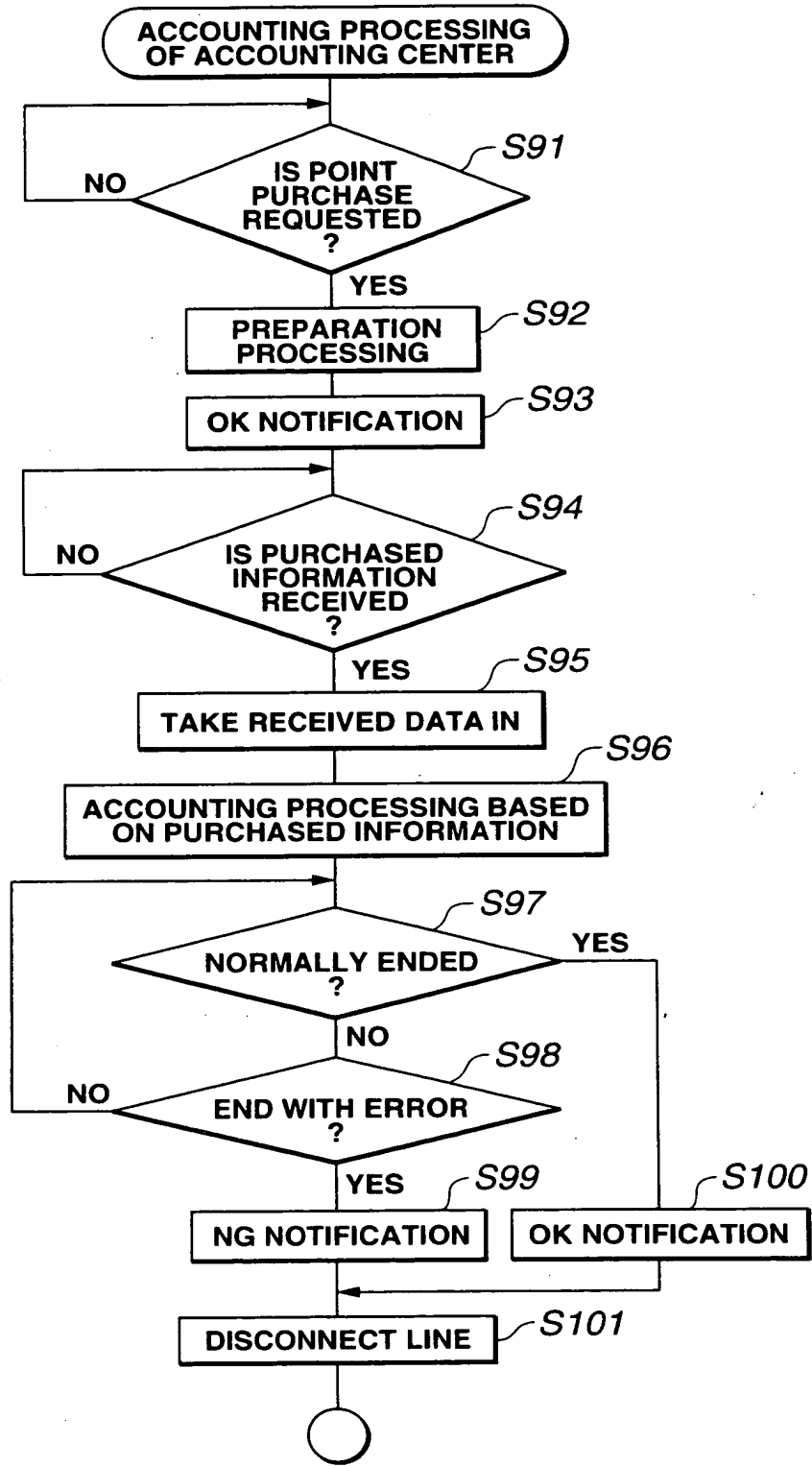


FIG.15